

The original horizontal coil, multiple vertical fan cooler: the ideal solution in high-horsepower, engine-drive applications.

Model F

Model F Specifications

- Fan diameters from 48" to 144".
- Typical compression HP: 250-4,500.

Model F Advantages

- Engine, compressor, and multiple-stage gas cooling all in a single cooler, reducing shipping and installation costs.
- Forced-draft design moves cool air through the unit – resulting in lower fan horsepower requirements and higher efficiency.
- Rating procedures provide nozzle arrangements that facilitate installation and reduce piping costs.
- Vertical discharge cooler features an individual plenum chamber for each fan, ensuring reliable operation.
- Rotating components are located in the cool air stream of the cooler promoting longer life, ease of visual inspection and safer maintenance.



132-3F with optional bug screens / lint screens and ground-level manually operated main louvers



Optional hailguard



132-3F with manually operated louvers and bug / lint screens



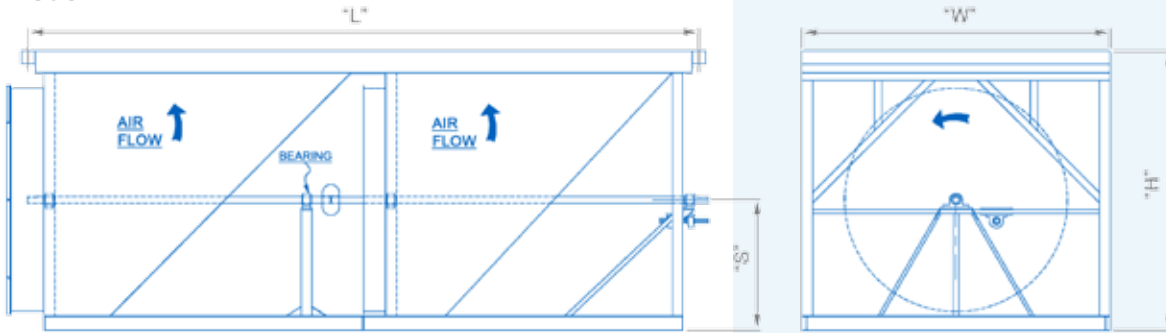
132-2F with optional external walkway

HARSCO
INDUSTRIAL

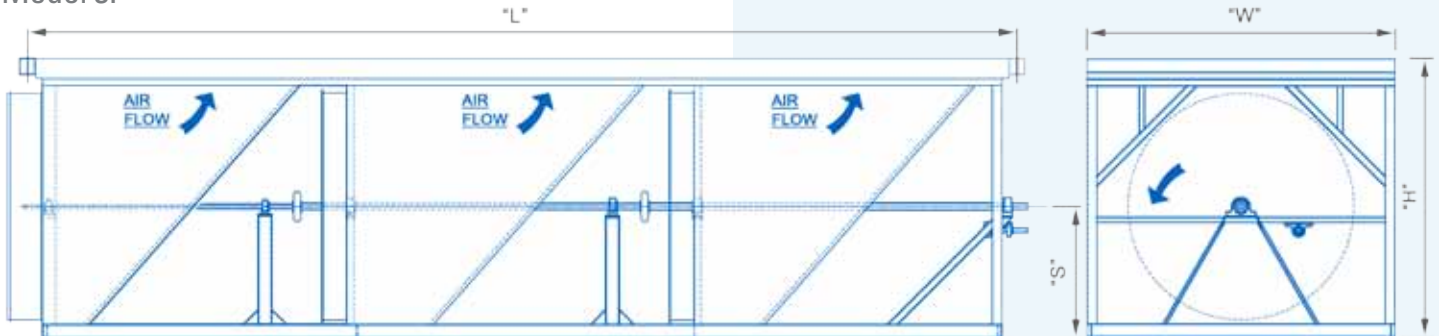
Air-X-Changers
Hammco



Model 2F



Model 3F



Optional Features

- Cooler finish per customer specifications, including tint-to-match paint and galvanizing.
- Louvers (manual or automated) downstream of the cooling sections to control air flow for temperature control.
- Auxiliary louvers (manual or automated) located upstream of the cooling sections to provide additional protection in cold weather climates.
- Hailguard over cooling sections, independent or integral with shutters, to protect cooling sections.
- Low noise emission fans.
- Bug screens / lint screens over air intake to minimize external fouling of cooling sections.
- External maintenance walkway or platform.

| Model 2F | | | | |
|--------------|---------|---------|-----|----|
| Fan Diameter | L | W | H | S |
| 54 | 99 | 96 | 87 | 38 |
| 72 | 147-171 | 108-132 | 114 | 51 |
| 81 | 171-195 | 132-144 | 114 | 51 |
| 84 | 195 | 144 | 114 | 51 |
| 96 | 243 | 144 | 126 | 57 |
| 108 | 267-291 | 156-168 | 138 | 63 |
| 120 | 291-363 | 156-192 | 152 | 71 |
| 132 | 339-411 | 168-192 | 164 | 77 |
| 144 | 387-483 | 168-204 | 176 | 83 |

| Model 3F | | | | |
|--------------|---------|---------|-----|----|
| Fan Diameter | L | W | H | S |
| 72 | 219-267 | 108-132 | 114 | 51 |
| 81 | 267-291 | 132-144 | 114 | 51 |
| 84 | 267 | 144 | 114 | 51 |
| 96 | 363 | 144 | 126 | 57 |
| 108 | 411-435 | 156-168 | 138 | 63 |
| 120 | 435-531 | 156-192 | 152 | 71 |
| 132 | 531-603 | 168-192 | 164 | 77 |
| 144 | 579-723 | 168-204 | 176 | 83 |

L = Length. W = Width. H = Height. S = Grade to c/l shaft.
 Dimensions shown in inches. For estimation only; dimensions may vary.



Air-X-Changers
 Hammco