

The cost-efficient solution for low-horsepower gas, water and lube oil cooling.

Model VV

Model VV Specifications

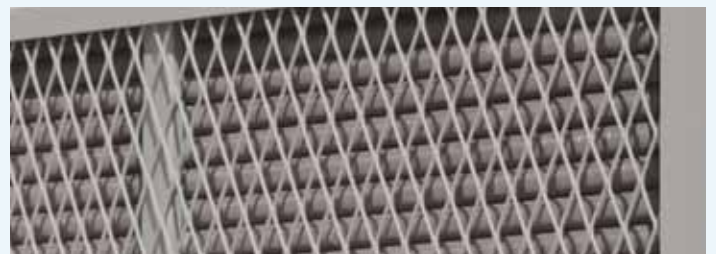
- Fan diameters from 18" to 60".
- Engine-drive and electric motor-drive configurations.
- Typical compression HP: 50-250.

Model VV Advantages

- Horizontal air flow may be either forced- or induced-draft to meet individual installation requirements.
- Easily adaptable to a variety of drive types.
- Designed to be compact and portable.
- Core guards protect cooling sections when louvers are not required.



48-VV with standard core guard and optional manually operated main louvers



Cooling section core guard (standard)



Optional louvers on gas section



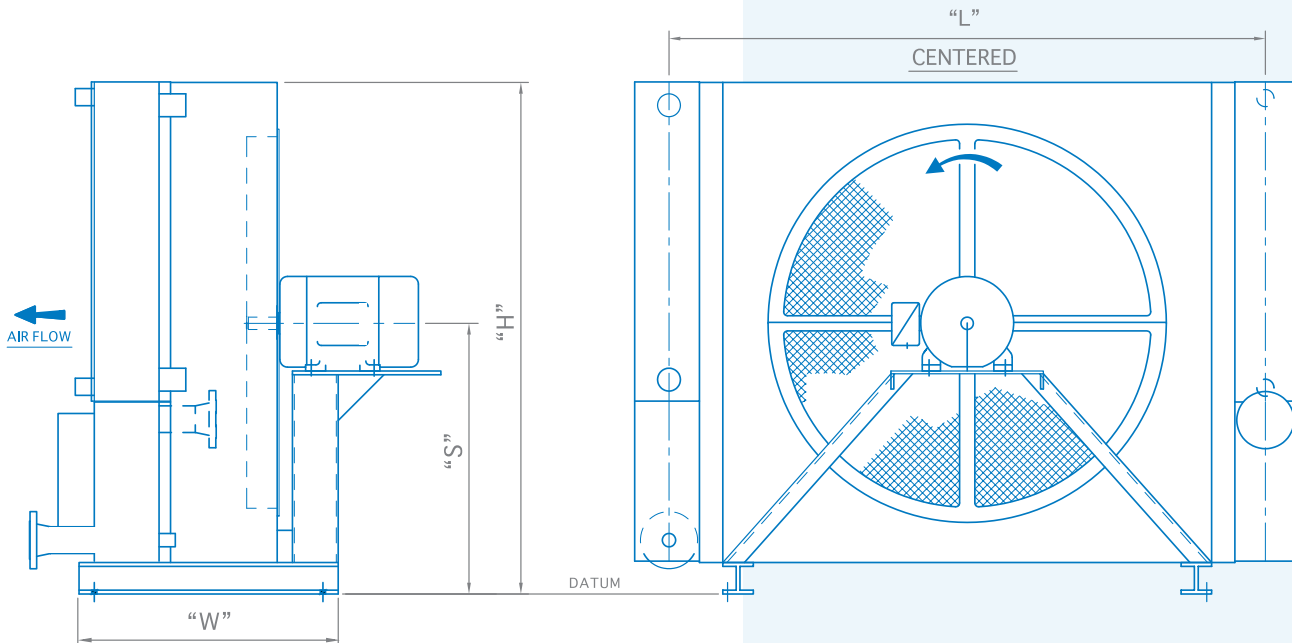
Optional electric drive

HARSCO
INDUSTRIAL

Air-X-Changers
Hammco

5615 South 129th East Avenue | Tulsa, OK 74134 USA
918-619-8000 USA | FAX 918-384-5000 USA | harscoaxc.com

Insight onsite.™



Optional Features

- Cooler finish per customer specifications, including tint-to-match paint and galvanizing.
- Louvers (manual or automated) to control air flow for temperature control.
- Bug screens / lint screens over air intake to minimize external fouling of cooling sections.

Model VV				
Fan Diameter	L	W	H	S
18	27	20	25	14
24	39	27	31	17
30	51	27	38	21
32	51	30	43	23
36	63	30	43	23
42	75	34	50	27
48	75	34	67	35
54	75	42	82	43
60	87	42	82	43

L = Length. W = Base beam width. H = Height. S = Grade to c/l shaft.
 Dimensions shown in inches. For estimation only; dimensions may vary.



Air-X-Changers
 Hammco